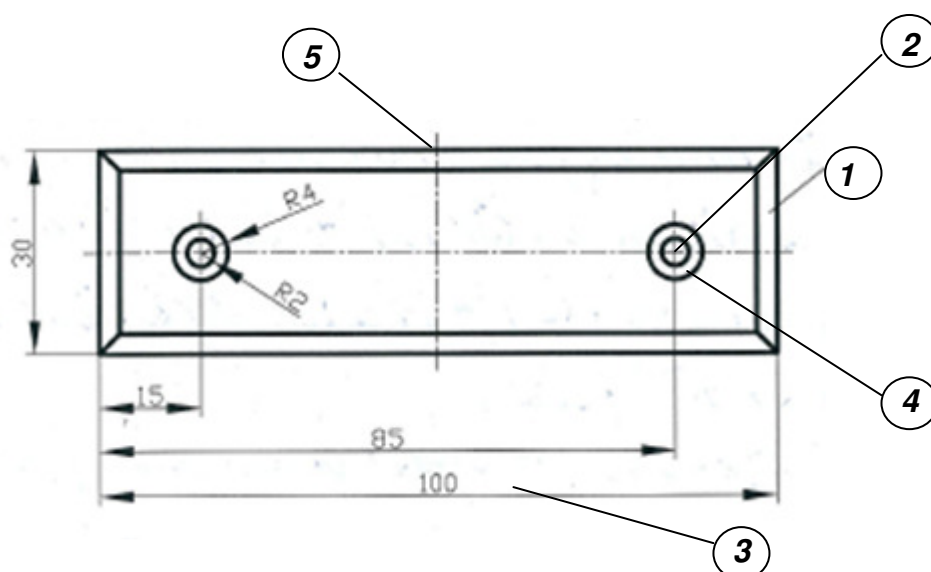


Lösungsvorschlag:

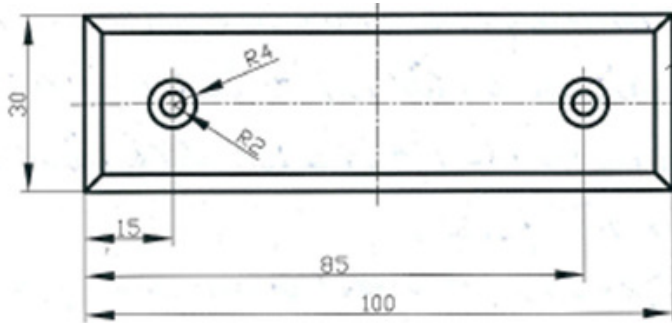
1. **Look up words you will need and complete the chart with the help of an online dictionary.**

Deutsch	English
Bohrungsmitte	<i>hole centre</i>
Bohrung	<i>bore</i>
Senkung	<i>countersink</i>
Werkstück	<i>workpiece</i>
Muster	<i>sample</i>
Zeichnung	<i>drawing</i>
Schlagbuchstabe	<i>steel punch letter</i>
auf Länge zuschneiden	<i>(to) cut to length</i>
ankörnen	<i>(to) punch-mark</i>
bohren	<i>(to) drill</i>
senken	<i>(to) countersink</i>
fasen	<i>(to) chamfer</i>
feilen	<i>(to) rasp</i>
anreißen	<i>(to) mark</i>
einschlagen	<i>(to) hammer</i>

2. **Fill in the correct number.**



chamfer - 1, bore - 2, length - 3, countersink - 4, workpiece - 5



- 1. Cut the workpiece to length.**
– see technical drawing
- 2. Mark the measures for the bores and countersinks.** – see technical drawing



- 3. Punch-mark the hole centres.** – sample workpiece 1



- 4. Drill and countersink.** – sample workpiece 2



- 5. File the chamfers 3 x 45°.** – sample workpiece 3
- 6. Mark the line for the letters.** – sample workpiece 3

- 7. Hammer the steel punch letters of your name.** – sample workpiece 3